

# AMPROBE® ENERGIZER MODEL A-47CL

## FOR USE WITH FUSED PLUGS

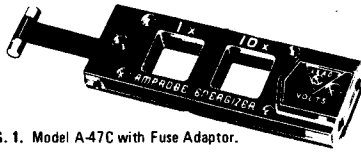
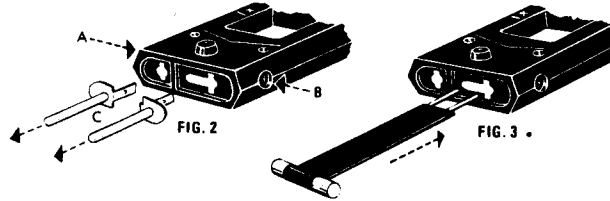


FIG. 1. Model A-47C with Fuse Adaptor.

The A-47C with FUSE ADAPTOR is designed for taking amperage readings on appliances and loads that are equipped with fused plugs (TEMCO, Made in England).

It cannot be used to take voltage readings. Voltage readings can only be taken when the Energizer is set up as an A-47C without the fuse adaptor.

### HOW TO INSERT THE FUSE ADAPTOR

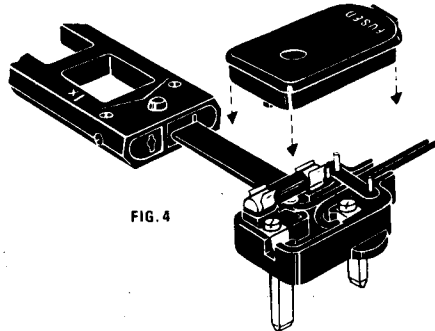


1. Loosen screws A and B. Do not remove the screws. See Fig. 2.
2. Remove prongs C by pulling out. See Fig. 2.
3. Insert the fuse adaptor as shown in Fig. 3 and tighten screws.

**HOW TO USE THE FUSE ADAPTOR  
TO TAKE AMPERAGE READINGS ON FUSED PLUGS**

1. Disconnect plug from outlet.
2. Remove plug cover.
3. Remove fuse.
4. Insert the fuse adaptor in place of fuse. See Fig. 4.
5. Replace plug cover.
6. Insert plug in outlet.
7. Hook Amprobe instrument jaws into 1X or 10X for sensitivity desired.

NOTE: The fuse adaptor cannot be used for voltage readings.



*Advanced Test Products*

Miramar, Florida  
Phone: 305-423-7500  
Fax: 305-423-7554  
[www.tif.com](http://www.tif.com)

PT #919759 6/78